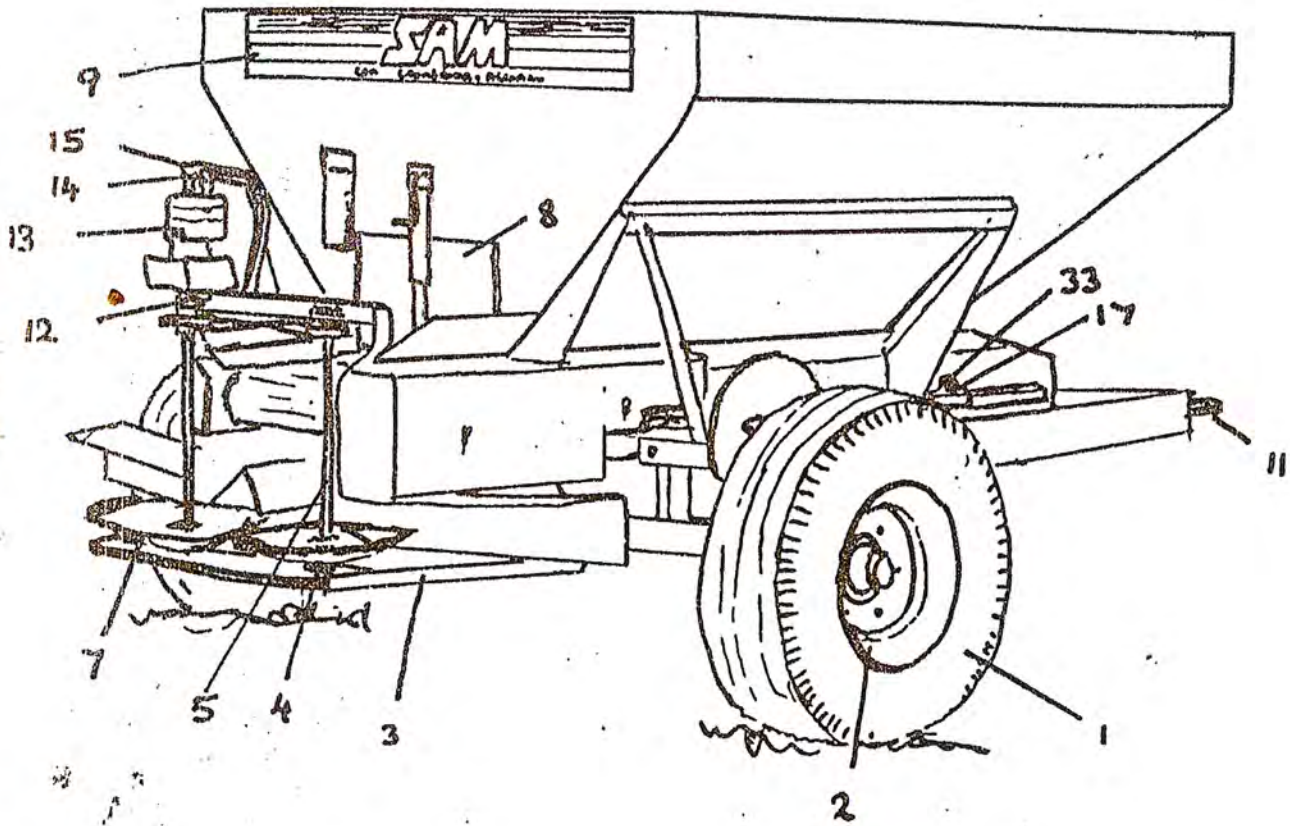


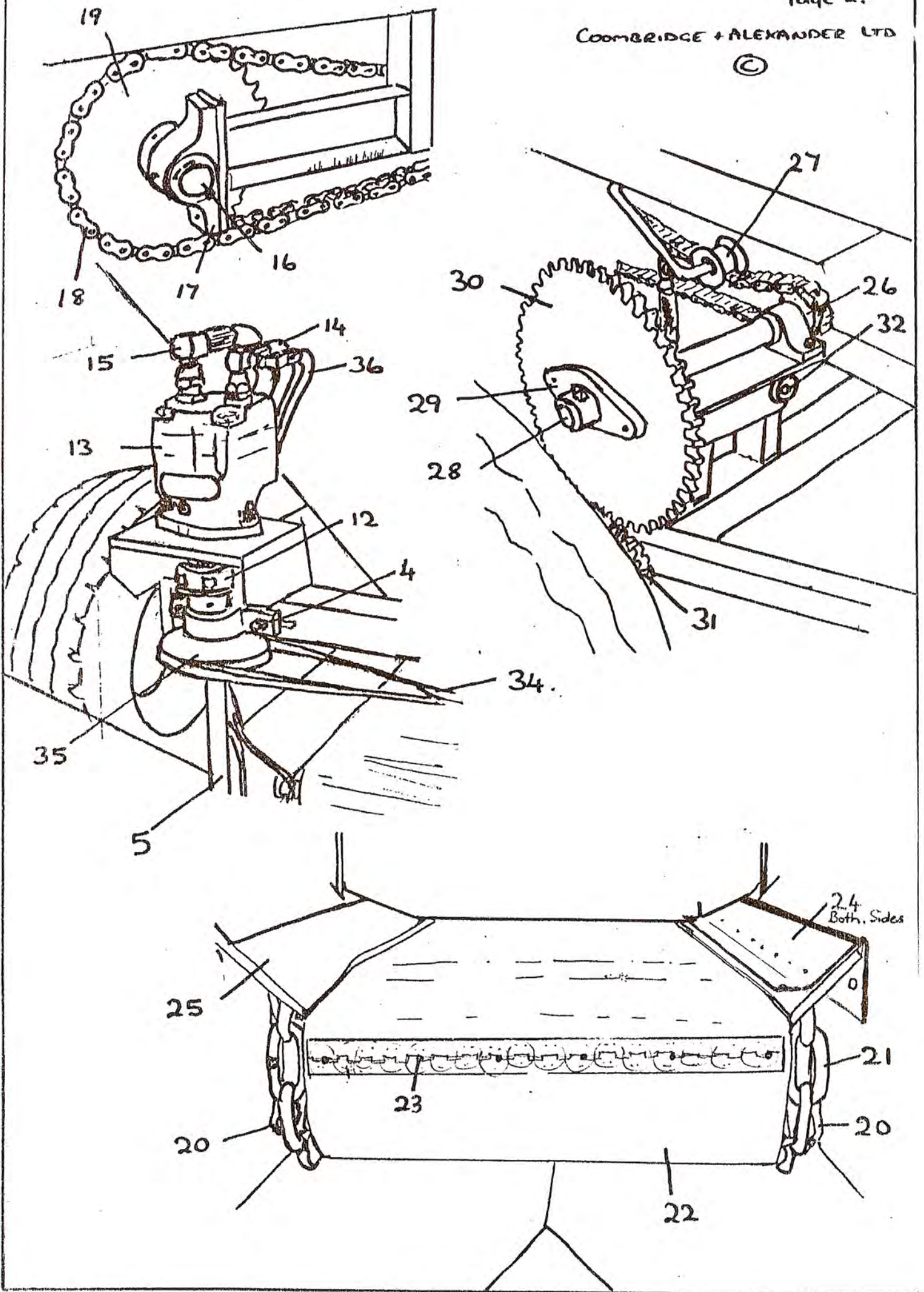
SAM SPINNERS

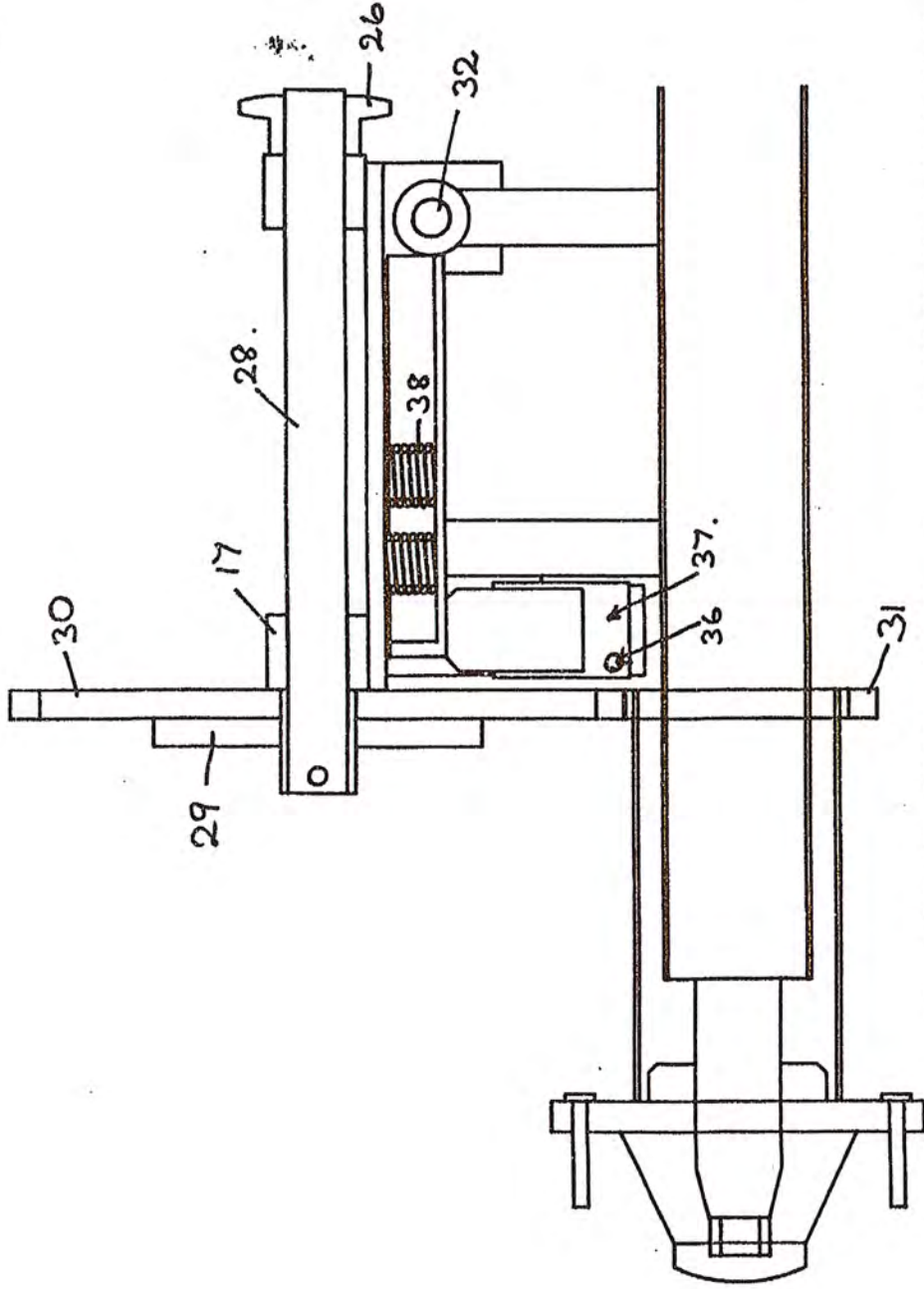
Coombridge & Alexander Ltd

Hamilton New Zealand

P.O. Box 5025 Ph 07: 8478692.

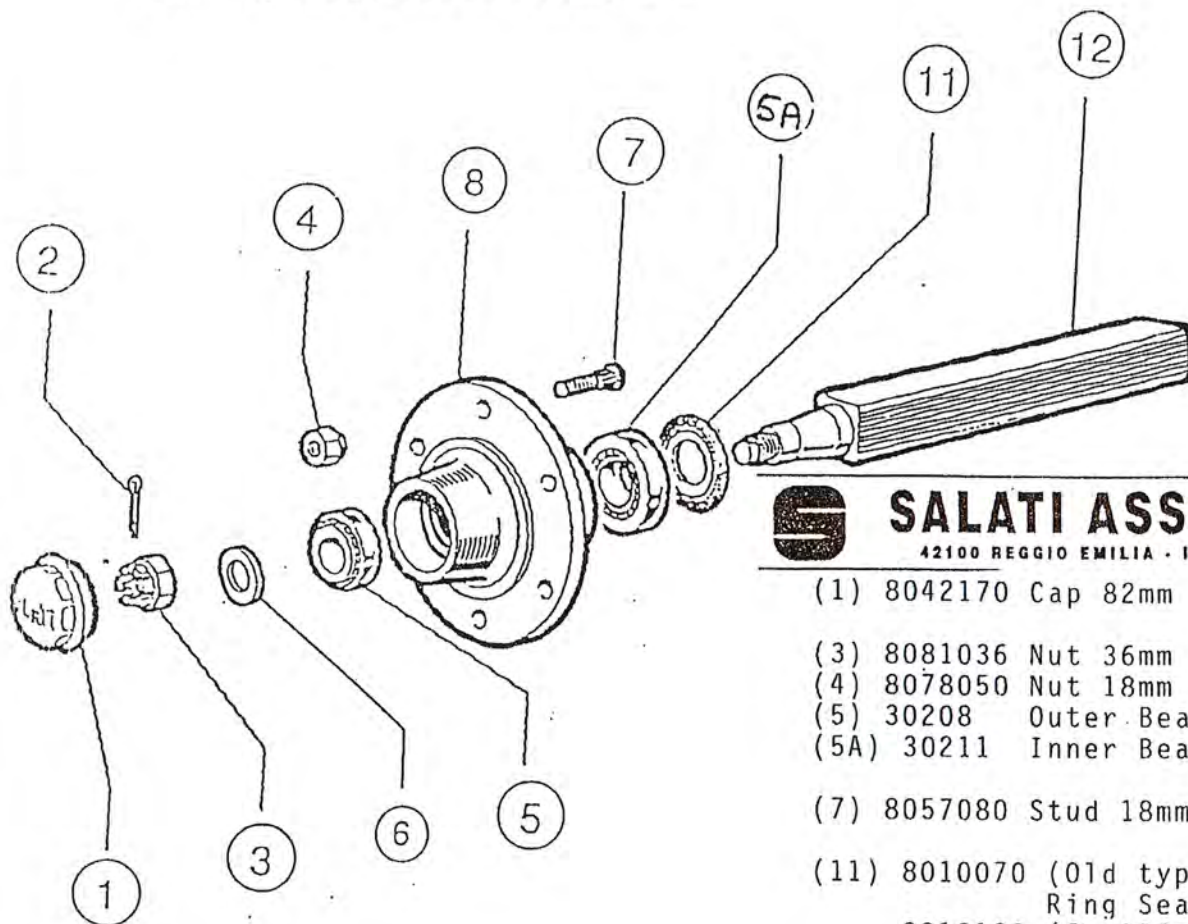






Clutch Cross - Section .

1. Tyre (Check size on tyre)
2. Wheel 6 Stud (Check size on tyre)
3. Subframe
4. 1" Pillow Block & Bearing (4 per Hydraulic machine)
- 5&6 1" Spinner Shaft only (Check length)
7. 20" Disc & plate & vanes
8. Back Door & Screw
9. Set of Labels (4)
11. Drawbar Tongue
14. Live $\frac{1}{2}$ " Hose 3d
15. Return $\frac{3}{4}$ " Hose 4c
16. $\frac{1}{2}$ " Back Shaft 1 Key
17. $1\frac{1}{2}$ " Deadeye Bearing (7 per machine)
18. 1" pitch chain (38 outer links & joiner)
19. 1" pitch 30 tooth sprocket - $1\frac{1}{2}$ Bore & Key
20. 5 tooth floor sprocket
21. Complete double chain (floor) & slats
22. Belt PVK 120
23. Stainless Joiner Strip Complete
24. Stainless Rivets & Washer + Steel Skirt Cover.
25. 80mm x 10mm Rubber skirt
26. 11 Tooth 1" Pitch Sprocket - $1\frac{1}{2}$ Bore
27. Steel Roller
28. $1\frac{1}{2}$ Side Shaft
29. Shear Plate Assembly (1-3/4 - 1/4" H.T Bolts)
30. 48 Tooth Gear
31. 22 Tooth Gear
32. Pin 1"
33. Front $1\frac{1}{2}$ Shaft
34. B55 Vee Belt or (88 68 Vee Belt on Some Machines)
35. 112A Bilock Complete
36. $\frac{1}{4}$ " Hose to Clutch Ram
37. Clutch Ram
38. $1\frac{1}{2}$ Compression Spring x 2



SALATI ASSALI

42100 REGGIO EMILIA - ITALY

- (1) 8042170 Cap 82mm
- (3) 8081036 Nut 36mm
- (4) 8078050 Nut 18mm
- (5) 30208 Outer Bearing
- (5A) 30211 Inner Bearing
- (7) 8057080 Stud 18mm
- (11) 8010070 (Old type)
Ring Seal
- 8013130 (65x100x10)
Oil Seal

OPERATORS MANUALIntroduction

The SAM Bulk Topdressers have been developed through 25 years experience in manufacturing fertilizer spreading equipment. We manufacture a reliable, ruggedly constructed versatile machine with models to suit a range of farming requirements.

Operation

The sliding door at the back of the bin must first be set to the required sowing rate. With the floor chain controlled by the ground wheels forward speed, the rate is always constant at a given back door setting.

We suggest 15m centres for the twin spinner (super) and 10m for Lime. The door settings are a guide only - all type of manure flow differently.

The Single Axle Twin Spinner bin holds approximately 2.15m³
2750kg of super
3500kg of lime at water level

The Tandem Axle Twin Spinner bin holds approximately 2.5m³
3.25 Tonne Super
4.00 Tonne Lime

We always recommend spreading the first load into a measured paddock to check the rates carefully.

The P.T.O. Twin Spinner has a P.T.O. shaft supplied to fit straight on to the 6 land spline of the tractor. Check to see that the telescopic section of the shaft is in the middle of its travel with the topdresser and tractor on level ground. Alter tractor drawbar to suit. The spinners are operated by engaging the P.T.O. on the tractor. The output P.T.O. r.p.m. should be around 540 r.p.m. Bring revs up slowly to save belt wear.

On Hydraulic models the feed conveyor has an in out clutch that is activated automatically from the tractor seat when the hydraulic spinners are started.

If long distances are travelled between loading and spreading it is advisable to place the floor chains in gear and move them 12" under the load before setting off in the paddock. This helps stop the fertilizer packing.

The hydraulic twin spinner and the hydraulic poultry spinner must be coupled correctly to the tractor hydraulics system. Contact either your local agent or the manufacturer if there is any doubt. The live hose must be coupled to a high pressure outlet point on the tractors external system. This take off point can be fitted to existing double acting valves already fitted for loaders, feedwagons, rams etc or a new fitting can be installed.

The return hose must be coupled directly in the tractors hydraulic tank using the quick release coupling supplied. It must not be connected through a cylinder spool or isolating valve where back pressure can build up in the neutral position. The neutral lever position must allow a free passage for the oil returning into the tractor hydraulic tank. If the shaft seal on the hydraulic motor blows, it is connected incorrectly.

If coupling hydraulics in a John Deere tractor return oil into return plug into back tank and ensure the oil in the live feed is restricted with a needle valve, to a flow less than the charge pump capacity; or return oil into filter bowl with check valve in return line. Check with Coombridge & Alexander Ltd if unsure.

Always ensure tractor oils are kept in top condition and that quick release covers are used. Beware when changing machine from one tractor to another unless they use the same hydraulic oils (pump oil out of hoses into tin). If the hydraulic system is coupled correctly when new it will return excellent results. Beware of the traps and always consult an expert if in doubt.

MAINTENANCE

- (1) Vee belts (twin spinner) must be kept tight - a slipping belt will wear quickly.
- (2) All roller chains should be kept well oiled especially when placed in storage for any period of time.
- (3) Tyre pressure for the 11.5 x 15.3 tyres should be between 25-35 p.s.i.
- (4) After initial use check all bolts.
- (5) Grease all nipples in cast deadeyes after every five hours running and roller bearings after every 10 hours. Don't spare the grease gun.
There are 12 nipples on the hydraulic twin spinner.
- (6) Oil all linkage points, clutch levers, jockey wheel etc.
- (7) Floor conveyor tension should be an even curve from front to rear with 100mm sag.
- (8) To guard against corrosive effect of fertilizers, used oil mixed with a little diesel applied twice annually is invaluable. (Keep Oil Off Rubber Surfaces.)
- (9) Grease and check safety equipment on P.T.O. shaft.
- (10) Grease sliding shafts of P.T.O. every five hours.
- (11) Check and grease axle bearings at the end of the spreading season.

Good maintenance along the lines already mentioned will keep your machine in top working order for years to come.

Always ensure the mesh grill inside the bin remains in place for all sowing rates below $\frac{1}{2}$ ton to the acre. If the mesh grill is left out and rocks catch between the back door and the floormat serious damage can occur. Machine guarantee is invalid if mesh screen is not used.